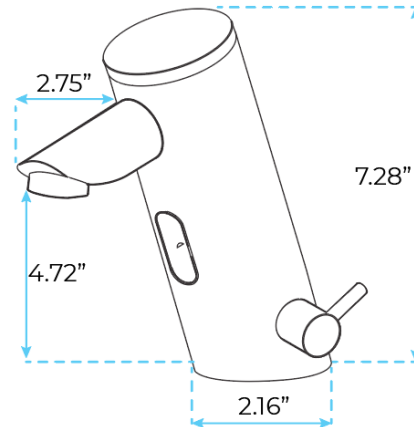


SOLID BRASS ROSE GOLD CONSTRUCTION PLATINUM THERMOSTATIC AUTOMATIC COMMERCIAL SENSOR FAUCET SPECS



Product Details

- Touchless Operation
- Added feature Temperature Control operation
- Sensitive Sensor with Infrared AI Smart-Chip
- Factory set to 30-second Auto Shutoff (can be adjusted).
- Solid Brass Construction, Rose Gold Finish
- Easy to Install - Instructions Included
- Water resistant solenoid enclosure
- Advanced energy saving design for long lasting battery life
- Comes complete with Hoses & Accessories
- ADA Compliant
- Easily can be installed in new or retrofit applications.

Other Details

[Product Details](#)

Specs:

Power: DC:6V(4AA alkaline battery)
AC:220V-240V; 50/60HZ
Water Consumption: 0.3-1.2 MPa
Detection Zone: 16-32 cm or adjustable
Motor valve lifespan: up to 500000 flushes
Battery lifespan: 100000 cycles
Static Power Consumption: 0.36mw
Working Power consumption: 0.5mw
Inductive Opening Time: < 1 second
Inductive Closing Time: < 2 second
Dia.of inlet / outlet pipe: G1/2"
Flux: ≥ 0.07 L/S
Temperature: 0.1-50°C
Flow Rate: 1.8 GPM (6.81 L/min)